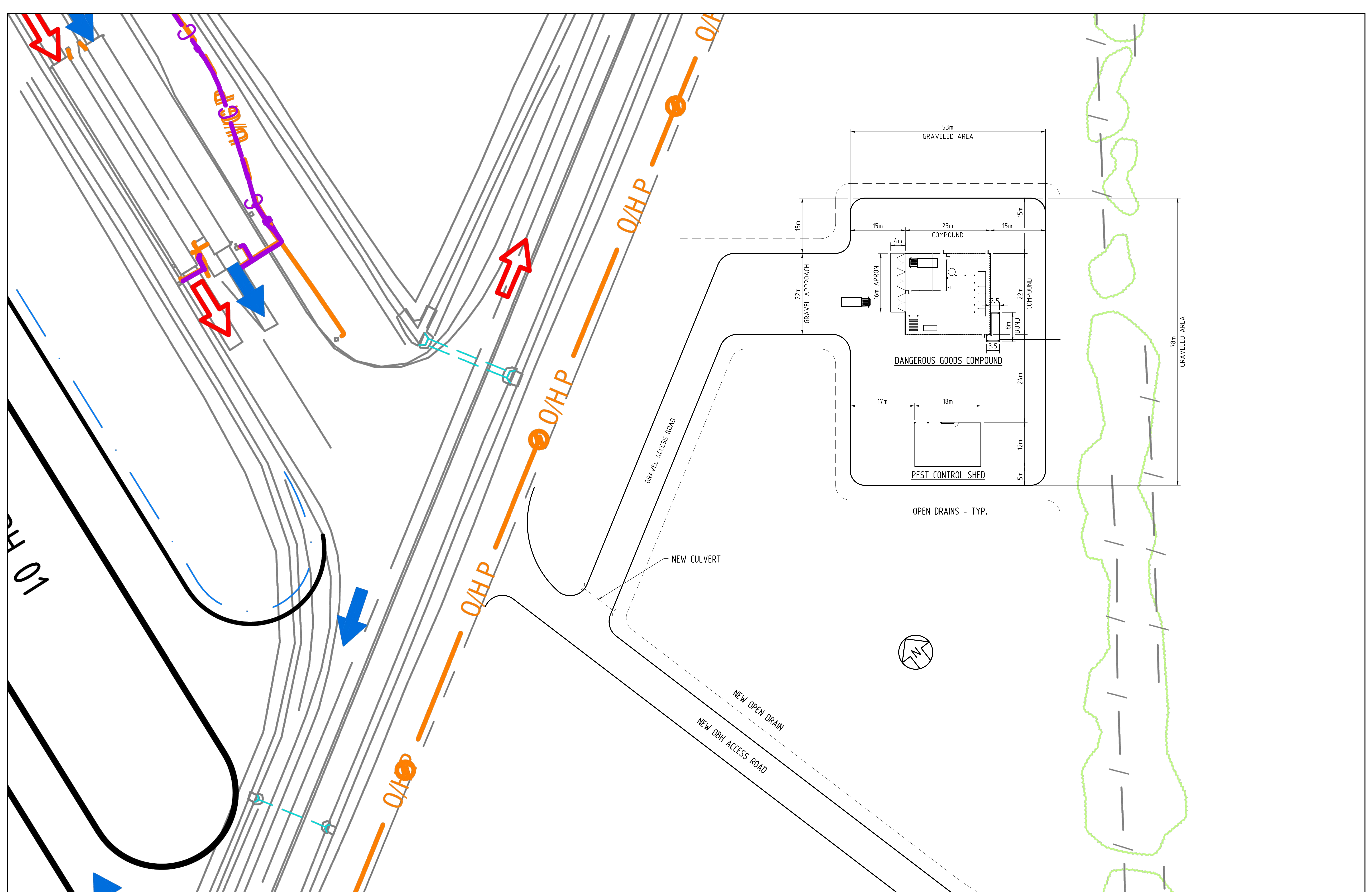
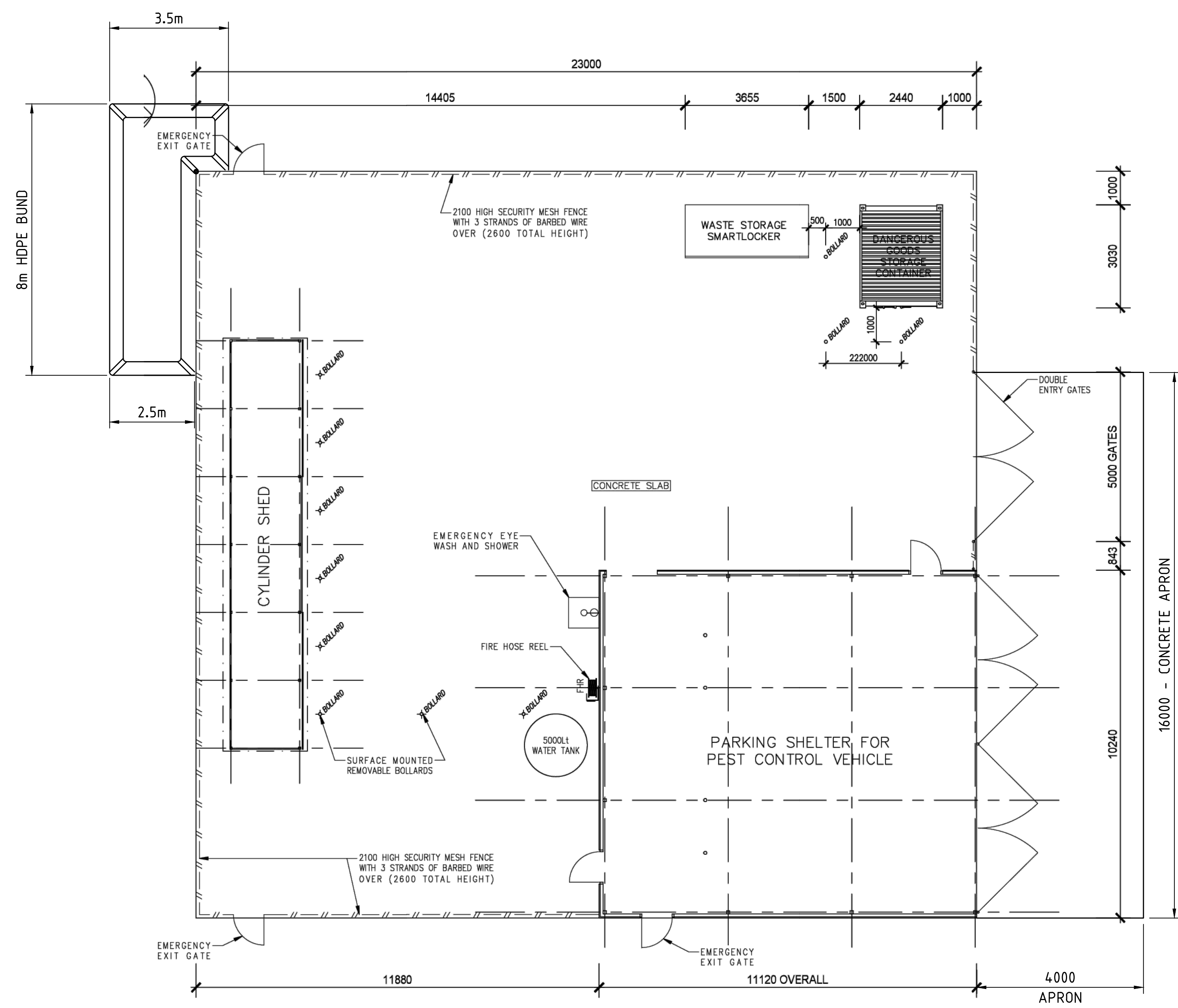


S FULL
 S EMPTY

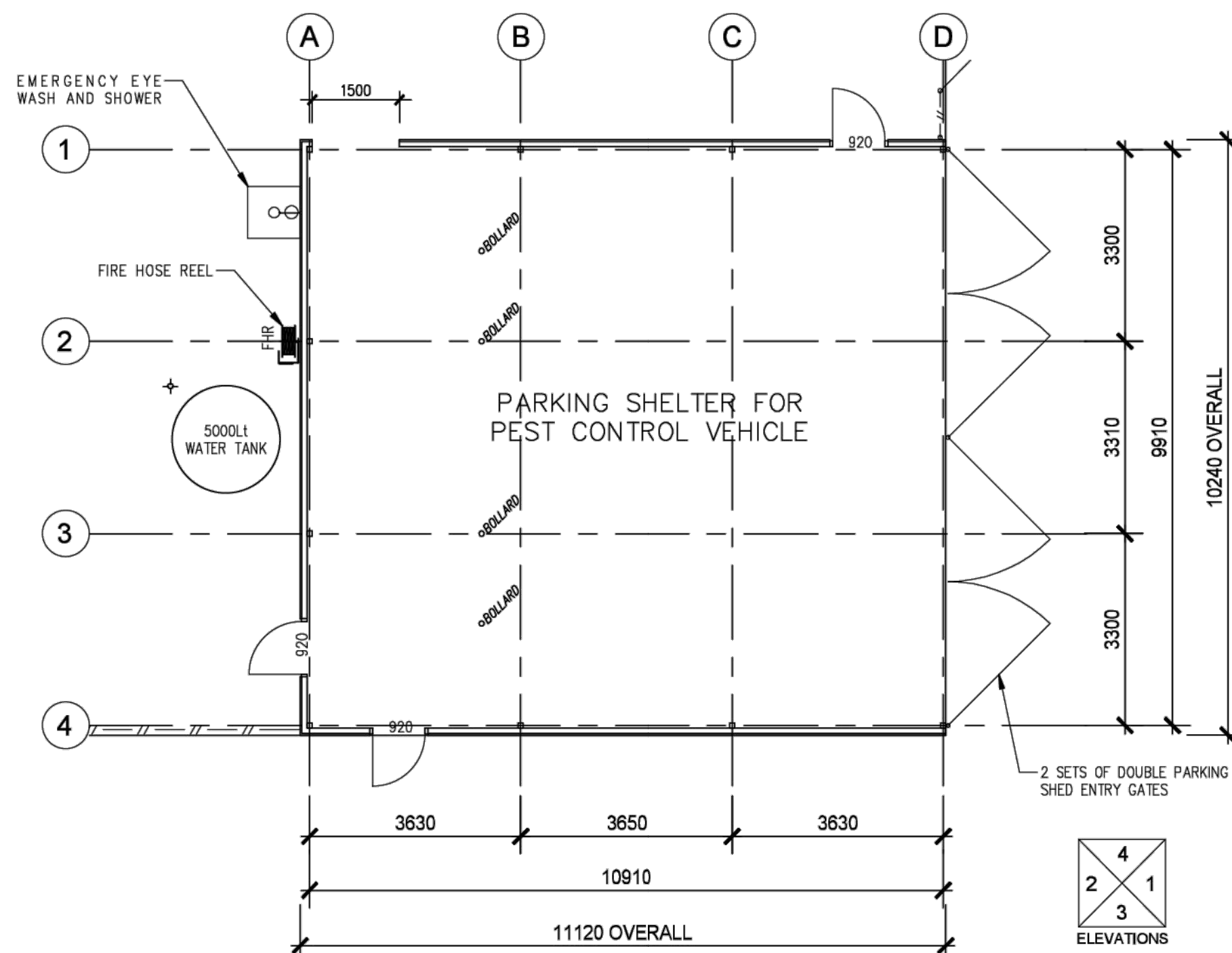
COPYRIGHT © THIS DRAWING AND THE CONTENTS DEPICTED OR WRITTEN THEREON, WHETHER IN WHOLE OR IN PART, IS THE EXCLUSIVE INTELLECTUAL PROPERTY OF CBH GROUP AND SHOULD NOT BE REPRODUCED OR USED FOR ANY PURPOSE WITHOUT THE EXPRESS WRITTEN APPROVAL OF CBH GROUP.		CBH HEAD OFFICE Level 6, 248 St GEORGES TERRACE, PERTH W.A. 6000 PH (08) 9337 9400 FAX (08) 9322 3942		REF. ORG. No. REFERENCE DRAWING TITLE REV. DATE REVISIONS BY CHK'D APP'D		E 12.05.26 NORTH POINT ADDED D 24.10.25 PROPOSED AREA UPDATED PC C 22.10.25 SITE POSITION OPTION C PC B 29.07.25 CHANGES TO COMPOUND PC A 02.07.25 ISSUED FOR INTERNAL REVIEW PC		SCALE AS SHOWN 		DESIGNED DES. CHECK DRAWN P.CHRISTMASS 02.07.2025 CHECKED APPROVED		DRAWING TITLE NARNGULU GRAIN TERMINAL PROPOSED DANGEROUS GOODS COMPOUND PROPOSED SITE POSITIONS SITE PLAN		SITE 307 PROJECT DGC DRAWING NO. 2025-307-0572 SHEET NO. B1 REV. E	
		DO NOT SCALE FROM THIS DRAWING - ASK !!!		REV. DATE REVISIONS BY CHK'D APP'D		APPROVED		APPROVED		APPROVED		APPROVED			



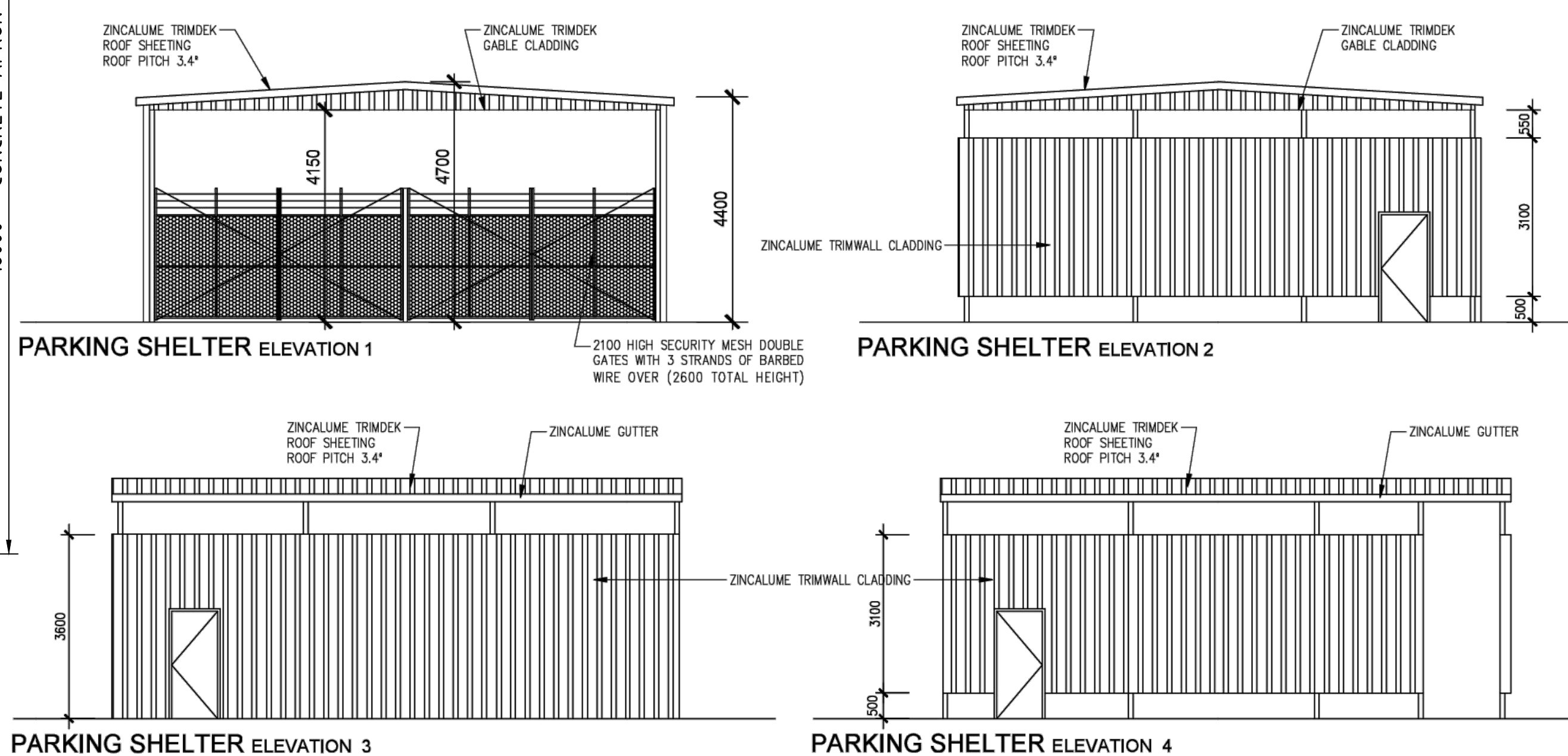
<p>COPYRIGHT ©</p> <p>THIS DRAWING AND THE CONTENTS DEPICTED OR WRITTEN THEREON, WHETHER IN WHOLE OR IN PART, IS THE EXCLUSIVE INTELLECTUAL PROPERTY OF CBH GROUP AND SHOULD NOT BE REPRODUCED OR USED FOR ANY PURPOSE WITHOUT THE EXPRESS WRITTEN APPROVAL OF CBH GROUP.</p>		<p>CBH HEAD OFFICE Level 6, 245 St GEORGES TERRACE, PERTH W.A. 6000 PH (08) 9337 9600 FAX (08) 9322 3942</p>	<p>DO NOT SCALE FROM THIS DRAWING - ASK !!!</p>	<table border="1"> <thead> <tr> <th>REF. DRG. No.</th> <th>REFERENCE DRAWING TITLE</th> <th>REV.</th> <th>DATE</th> <th>REVISIONS</th> <th>BY</th> <th>CHKD</th> <th>APPD</th> </tr> </thead> <tbody> <tr> <td>G</td> <td>BUND DIMENSIONS MODIFIED & NORTH POINT ADDED</td> <td>PC</td> <td>12.05.26</td> <td></td> <td></td> <td></td> <td></td> </tr> </tbody> </table>	REF. DRG. No.	REFERENCE DRAWING TITLE	REV.	DATE	REVISIONS	BY	CHKD	APPD	G	BUND DIMENSIONS MODIFIED & NORTH POINT ADDED	PC	12.05.26					<table border="1"> <thead> <tr> <th>REV.</th> <th>DATE</th> <th>REVISIONS</th> <th>BY</th> <th>CHKD</th> <th>APPD</th> </tr> </thead> <tbody> <tr> <td>F</td> <td>11.05.26</td> <td>APRON & BUNDING AREAS ADDED</td> <td>PC</td> <td></td> <td></td> </tr> <tr> <td>E</td> <td>24.03.26</td> <td>PEST CONTROL STORAGE SHED DIMENSIONS ALTERED</td> <td>PC</td> <td></td> <td></td> </tr> <tr> <td>D</td> <td>24.10.25</td> <td>PROPOSED AREA UPDATED</td> <td>PC</td> <td></td> <td></td> </tr> <tr> <td>C</td> <td>22.10.25</td> <td>SITE POSITION OPTION C</td> <td>PC</td> <td></td> <td></td> </tr> <tr> <td>B</td> <td>29.07.25</td> <td>CHANGES TO COMPOUND</td> <td>PC</td> <td></td> <td></td> </tr> <tr> <td>A</td> <td>02.07.25</td> <td>ISSUED FOR INTERNAL REVIEW</td> <td>PC</td> <td></td> <td></td> </tr> </tbody> </table>	REV.	DATE	REVISIONS	BY	CHKD	APPD	F	11.05.26	APRON & BUNDING AREAS ADDED	PC			E	24.03.26	PEST CONTROL STORAGE SHED DIMENSIONS ALTERED	PC			D	24.10.25	PROPOSED AREA UPDATED	PC			C	22.10.25	SITE POSITION OPTION C	PC			B	29.07.25	CHANGES TO COMPOUND	PC			A	02.07.25	ISSUED FOR INTERNAL REVIEW	PC			<table border="1"> <thead> <tr> <th>SCALE</th> <th>DESIGNED</th> <th>DES. CHECK</th> <th>DRAWN</th> <th>CHECKED</th> <th>APPROVED</th> </tr> </thead> <tbody> <tr> <td>AS SHOWN</td> <td></td> <td></td> <td>P.CHRISTMASS</td> <td></td> <td></td> </tr> <tr> <td></td> <td></td> <td></td> <td>02.07.2025</td> <td></td> <td></td> </tr> </tbody> </table>	SCALE	DESIGNED	DES. CHECK	DRAWN	CHECKED	APPROVED	AS SHOWN			P.CHRISTMASS						02.07.2025			<p>DRAWING TITLE</p> <p>NARNGULU GRAIN TERMINAL PROPOSED DANGEROUS GOODS COMPOUND PROPOSED SITE POSITIONS SITE PLAN - PROPOSED AREA OPTIONS</p>	<table border="1"> <tr> <td>SITE</td> <td>307</td> <td>SHEET SIZE</td> <td>B1</td> </tr> <tr> <td>PROJECT</td> <td>DGC</td> <td></td> <td></td> </tr> <tr> <td>DRAWING NO.</td> <td>2025-307-0573</td> <td>REV.</td> <td>G</td> </tr> </table>	SITE	307	SHEET SIZE	B1	PROJECT	DGC			DRAWING NO.	2025-307-0573	REV.	G
REF. DRG. No.	REFERENCE DRAWING TITLE	REV.	DATE	REVISIONS	BY	CHKD	APPD																																																																																									
G	BUND DIMENSIONS MODIFIED & NORTH POINT ADDED	PC	12.05.26																																																																																													
REV.	DATE	REVISIONS	BY	CHKD	APPD																																																																																											
F	11.05.26	APRON & BUNDING AREAS ADDED	PC																																																																																													
E	24.03.26	PEST CONTROL STORAGE SHED DIMENSIONS ALTERED	PC																																																																																													
D	24.10.25	PROPOSED AREA UPDATED	PC																																																																																													
C	22.10.25	SITE POSITION OPTION C	PC																																																																																													
B	29.07.25	CHANGES TO COMPOUND	PC																																																																																													
A	02.07.25	ISSUED FOR INTERNAL REVIEW	PC																																																																																													
SCALE	DESIGNED	DES. CHECK	DRAWN	CHECKED	APPROVED																																																																																											
AS SHOWN			P.CHRISTMASS																																																																																													
			02.07.2025																																																																																													
SITE	307	SHEET SIZE	B1																																																																																													
PROJECT	DGC																																																																																															
DRAWING NO.	2025-307-0573	REV.	G																																																																																													



DANGEROUS GOOD COMPOUND SCALE 1:100



PARKING SHELTER FLOOR PLAN SCALE 1:100

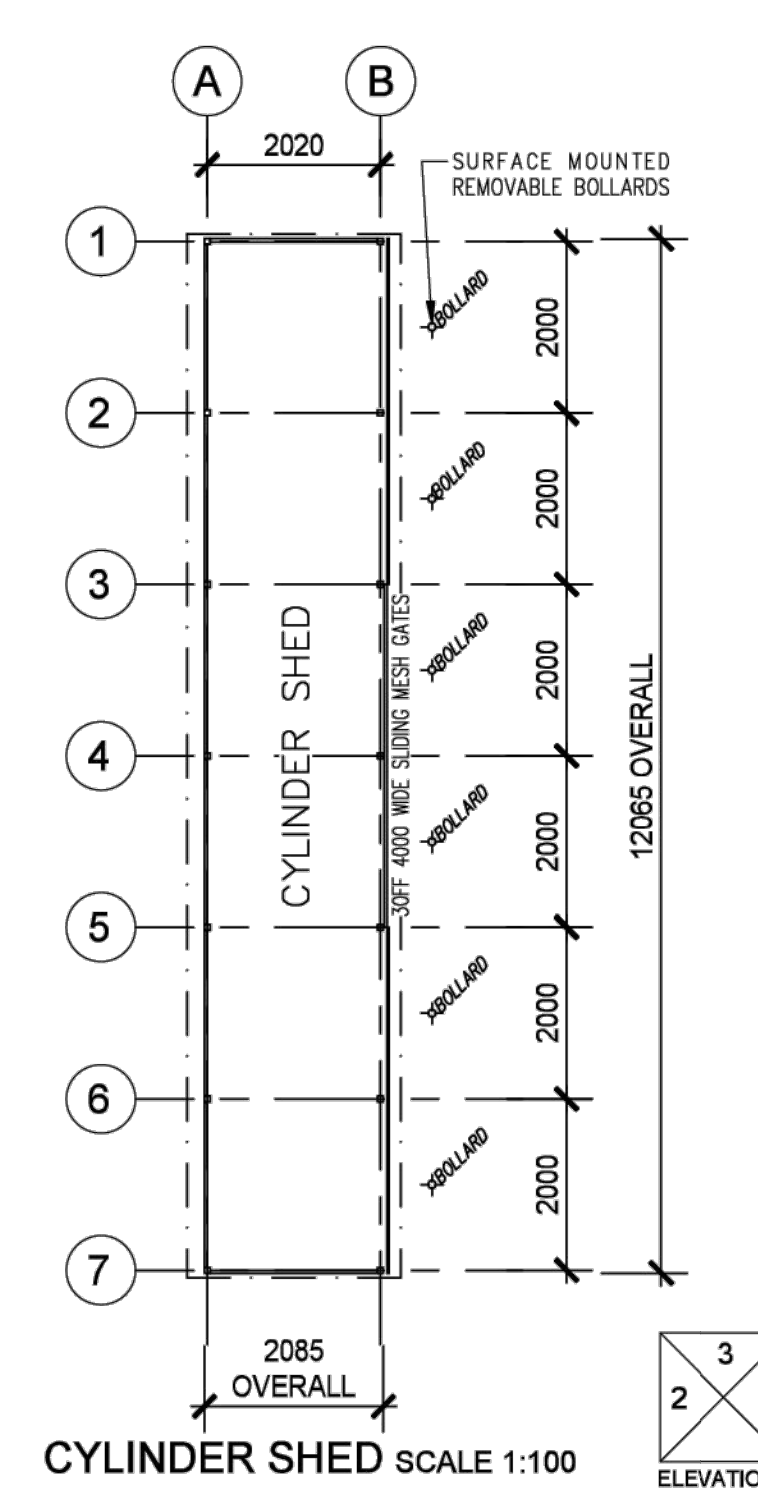


PARKING SHELTER ELEVATION 1

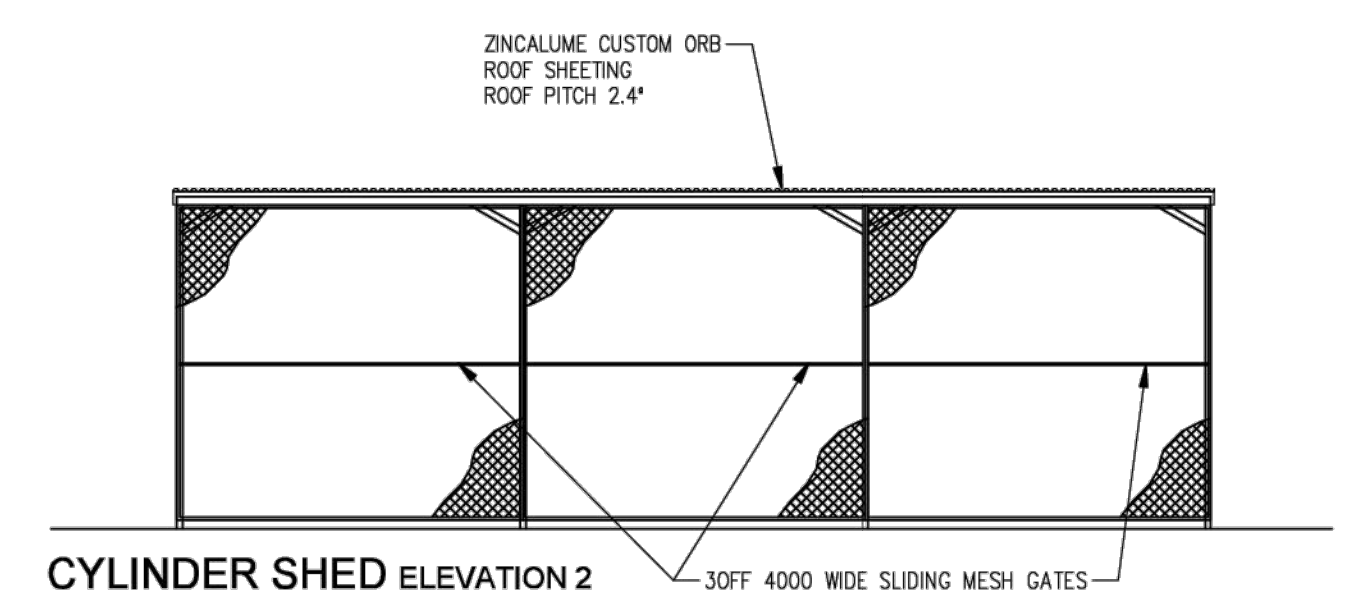
PARKING SHELTER ELEVATION 2

PARKING SHELTER ELEVATION 3

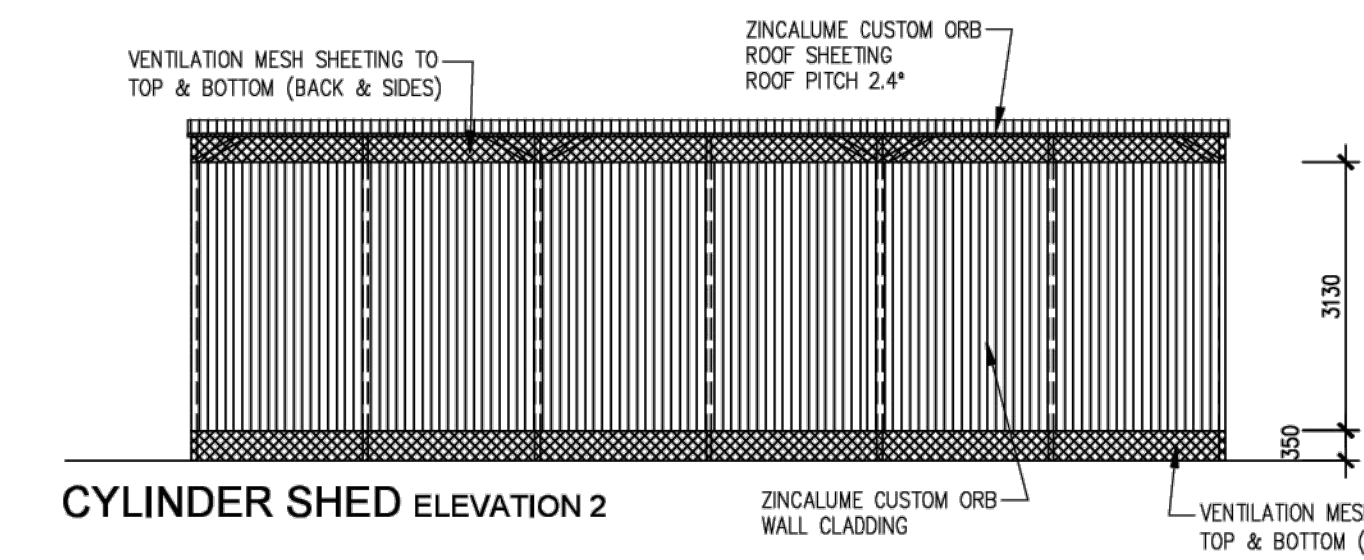
PARKING SHELTER ELEVATION 4



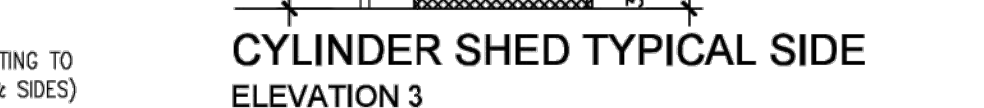
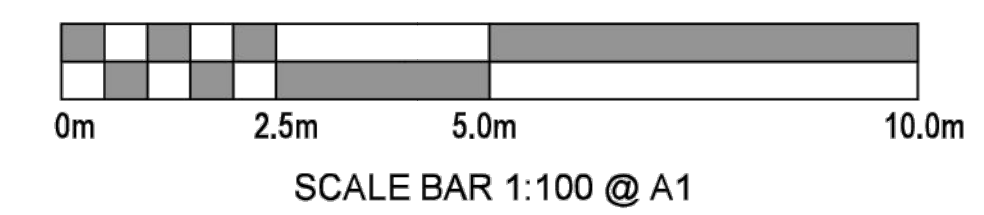
CYLINDER SHED SCALE 1:100



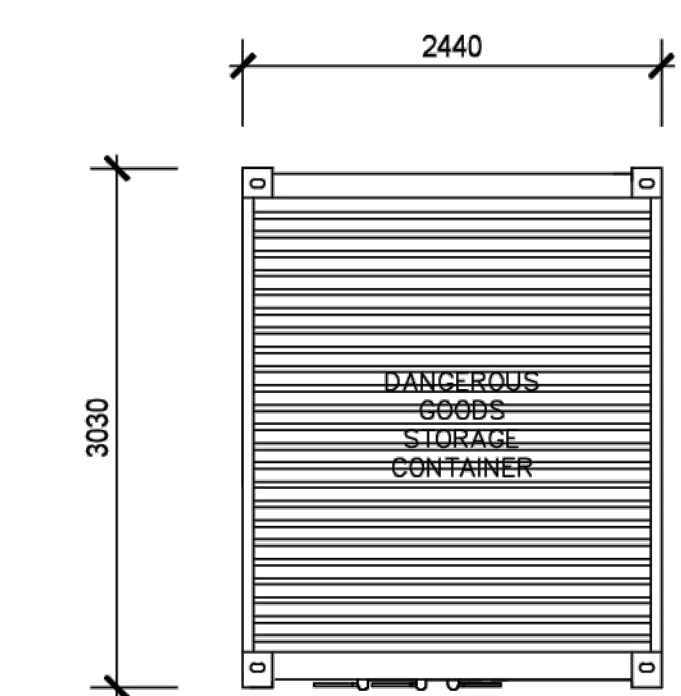
CYLINDER SHED ELEVATION 2



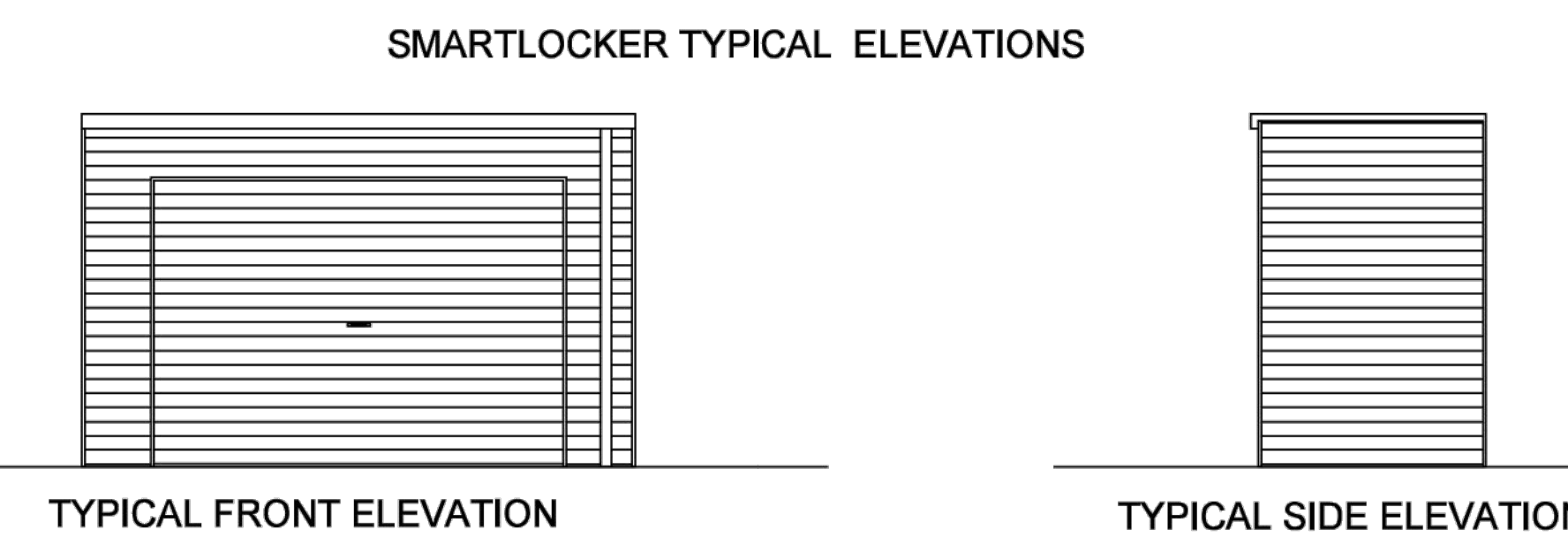
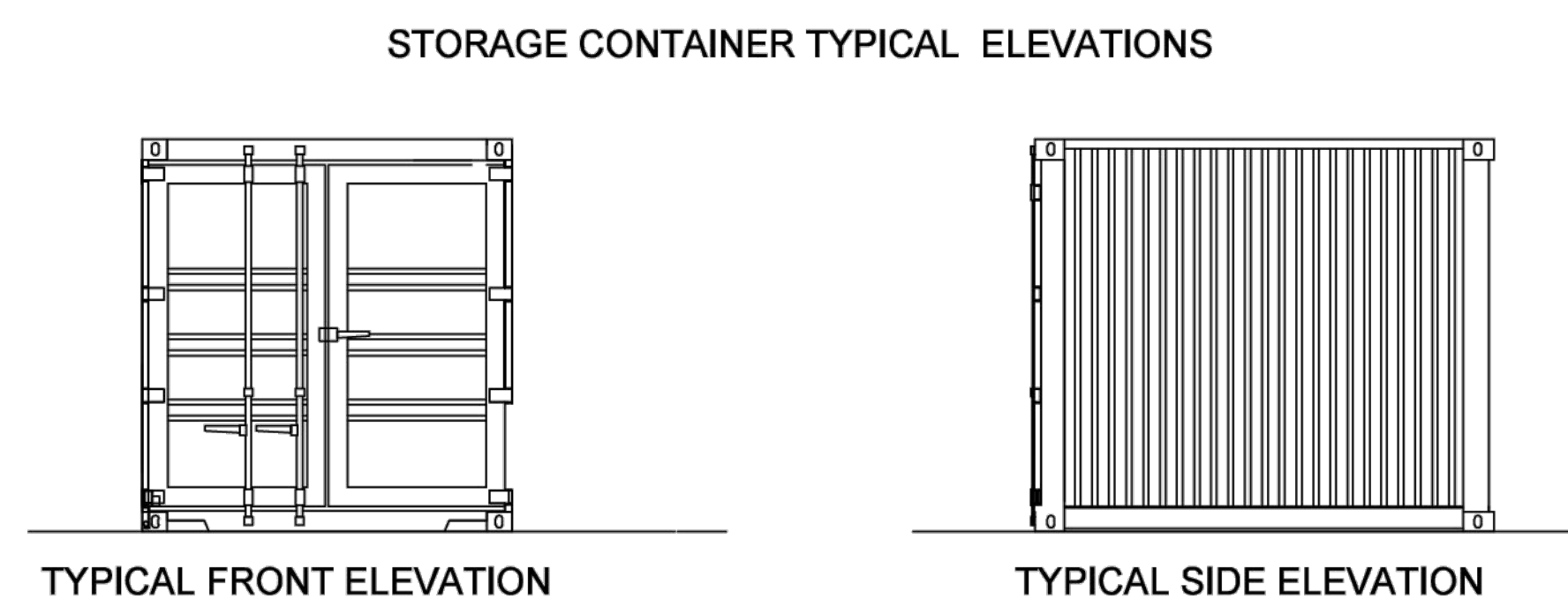
CYLINDER SHED ELEVATION 2



CYLINDER SHED TYPICAL SIDE ELEVATION 3



STORAGE CONTAINER FLOOR PLAN SCALE 1:50



SMARTLOCKER FLOOR PLAN SCALE 1:50

TYPICAL FRONT ELEVATION

TYPICAL SIDE ELEVATION

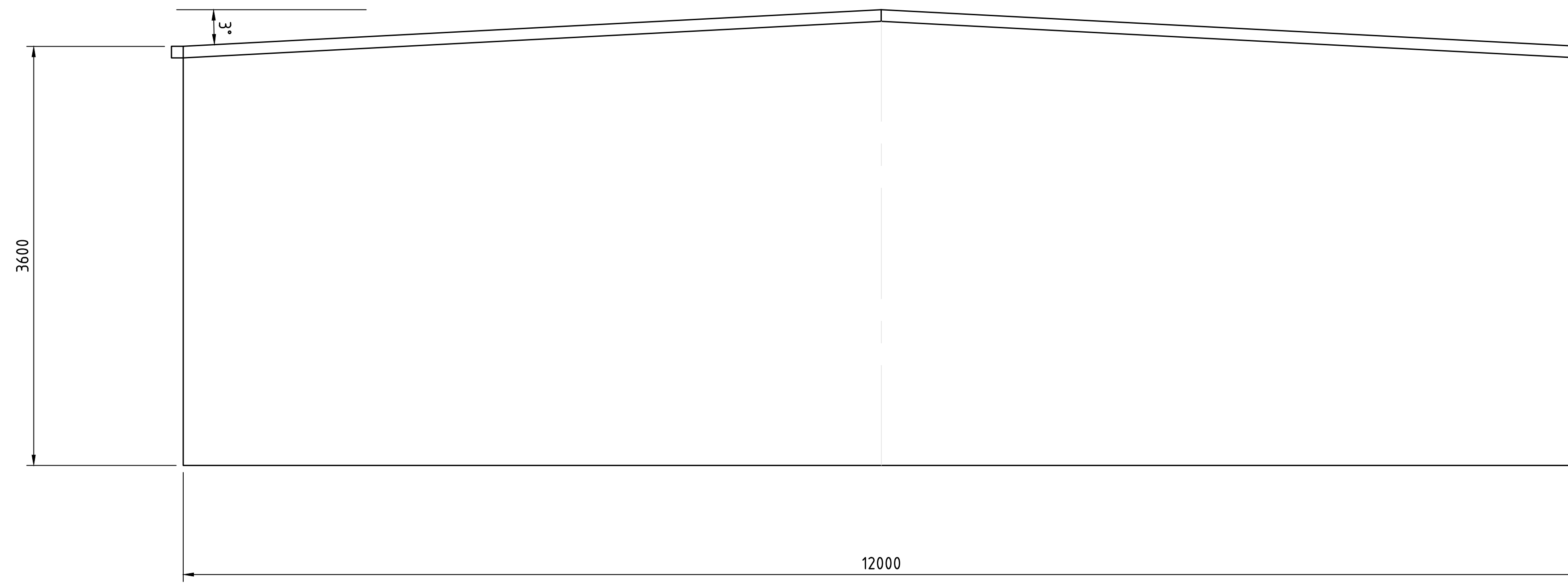
REV	DATE	REVISIONS	BY	CHKD	APPD
B	12.05.26	HDPE BUND DIMENSIONS MODIFIED			PC
A	24.03.26	ISSUED FOR INTERNAL REVIEW			PC

SCALE	DESIGNED	DRAWN	CHECKED	APPROVED
AS SHOWN		P.CHRISTMASS		

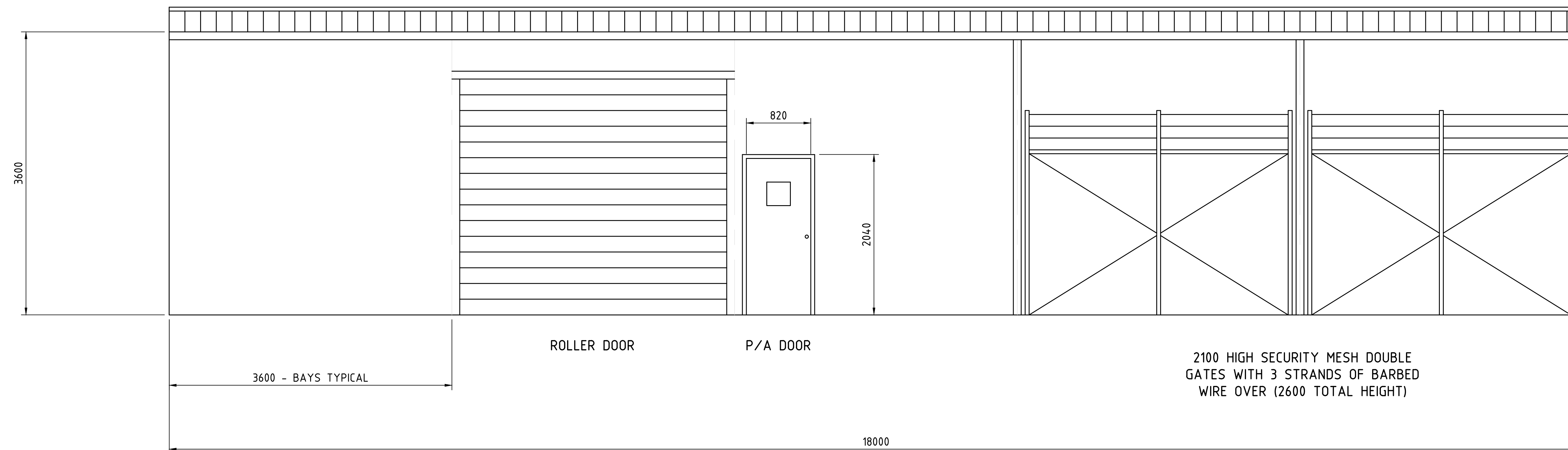
DRAWING TITLE
NARNGULU GRAIN TERMINAL
PROPOSED DANGEROUS GOODS COMPOUND
COMPOUND LAYOUT - TRUCK SHELTER & SHEDS
PLAN VIEW & ELEVATIONS

SITE	PROJECT	DRAWING NO	SHEET NO
307	DGC	2025-307-0575	B1

STORAGE SHED 18m x 12m - 3.6m EAVES HEIGHT
 COLOUR BOND ULTRA 0.48 BMT SPANDECK CLADDING - DUNE
 OPAL TRANSLUCENT ROOF SHEETING (1 ROW PER BAY)
 BOX GUTTERS C/W DOWN PIPES TO SUIT



VIEW A
 1:30 0574



VIEW B
 1:30 0574

PEST CONTROL STORAGE SHED - ELEVATIONS

1:30

COPYRIGHT ©
 THIS DRAWING AND THE CONTENTS DEPICTED OR WRITTEN THEREON, WHETHER IN WHOLE OR IN PART, IS THE EXCLUSIVE INTELLECTUAL PROPERTY OF CBH GROUP AND SHOULD NOT BE REPRODUCED OR USED FOR ANY PURPOSE WITHOUT THE EXPRESS WRITTEN APPROVAL OF CBH GROUP.



CBH HEAD OFFICE
 Level 6, 248 St GEORGES TERRACE, PERTH W.A. 6000
 PH (08) 9337 9600 FAX (08) 9322 3942

DO NOT SCALE FROM THIS DRAWING - ASK !!!

REF. ORG. No.	REFERENCE DRAWING TITLE	REV.	DATE	REVISIONS	BY	CHKD	APPD	REV.	DATE	REVISIONS	BY	CHKD	APPD
		A	12.05.26	ISSUED FOR INTERNAL REVIEW									

SCALE	DESIGNED	DES. CHECK	DRAWN	CHECKED	APPROVED
AS SHOWN			P.CHRISTMASS		

DRAWING TITLE
**NARNGULU GRAIN TERMINAL
 PROPOSED DANGEROUS GOODS COMPOUND
 PEST CONTROL STORAGE SHED
 ELEVATIONS**

SITE	307	SHEET SIZE	B1
PROJECT	DGC		
DRAWING NO.	2025-307-0576	REV.	A