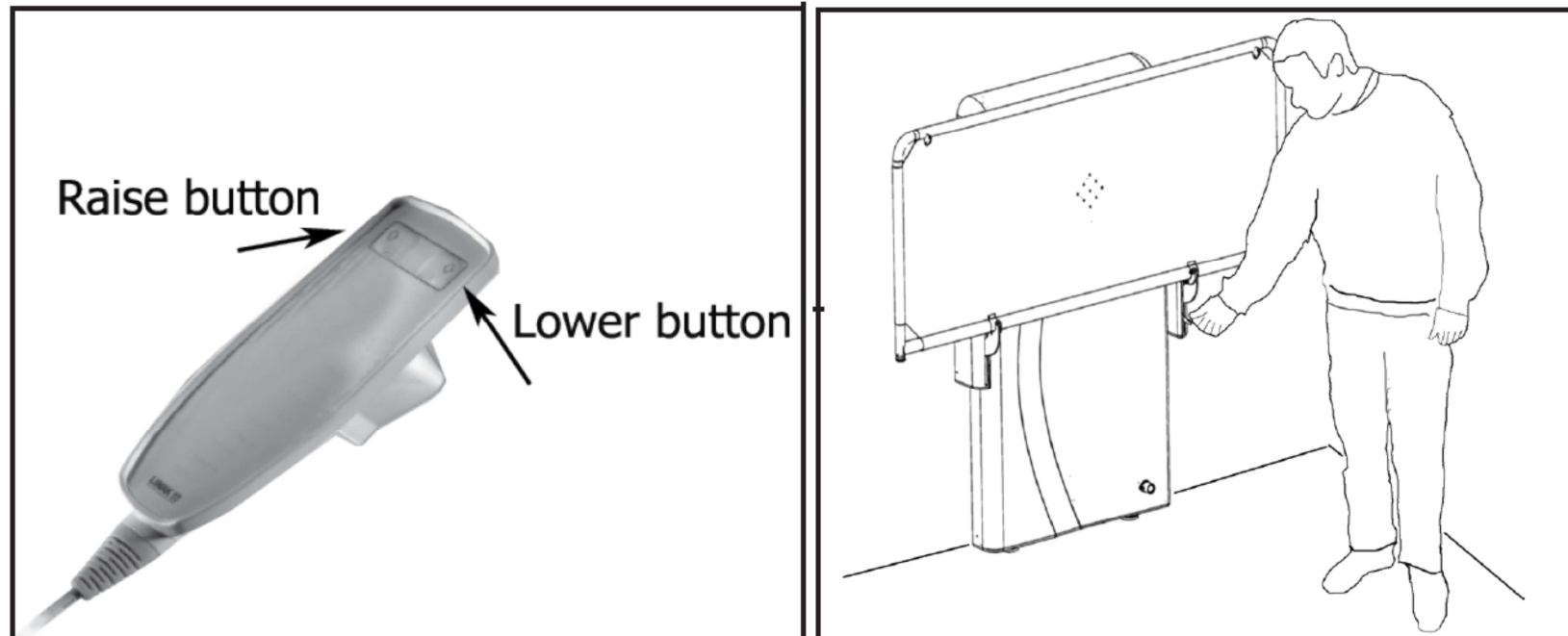


Change Table Operating Instructions

The Safe Working Load for this table is 200kgs, this table is not to be used by persons above this weight.

The following instructions MUST be complied with each time the change table is used:

1. Check that table operates by using the handset
2. Use the handset to raise or lower the table to the desired height



3. Press Green lever on the right hand side to release then lower bed
4. Nothing should stand in the way of the table when in motion
5. Press the ↑ button to raise the bed and the ↓ button to lower the bed
6. Cover the bed with disposable paper towel
7. Once the person is on the table raise the safety rail and ensure it locks in. To unlock the rail lift the rail up and outwards
8. After use wipe down table with disposable sheet
9. Return the safety rail back down into storage position
10. Fold the table back into the upright position
11. Secure controller onto safety rail